



PROJECT		REF		REV	ITEM CODE	
LOCATION		DATE			PAGE	

## SANITARY WARE SPECIFICATION SHEET

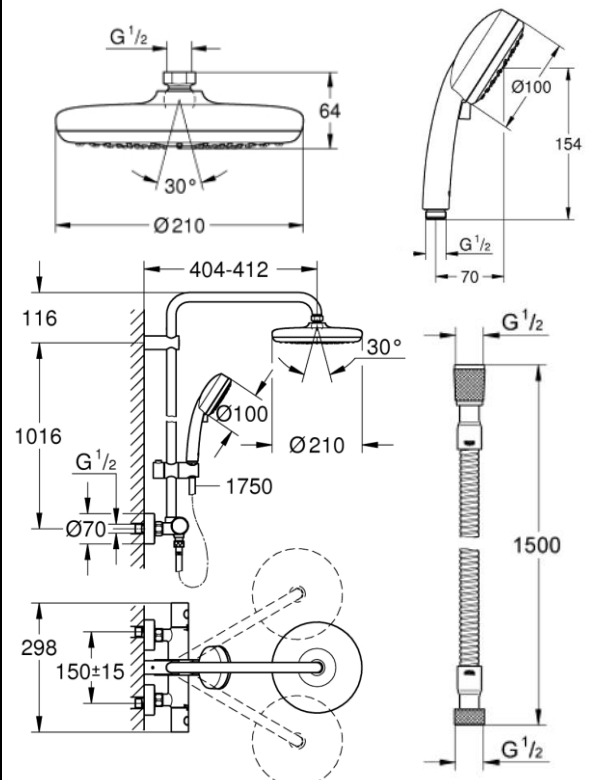
Item Descriptions	GROHE (Germany) "Tempesta Cosmopolitan System 210" Wall-mounted shower system with thermostatic mixer; including showerhead (26408000) and hand shower (27571001)
Dimensions	L412 x W298 x H1132 mm
Model	26302001
Finish	Chrome Plated
Country of origin	Germany
Manufacturer	GROHE Limited
Supplier	Acme Sanitary Ware Co. Ltd Mr. Eric Wong/ Mr. Don Yuen
Contact Tel/Fax	(852) 2388-7171 / (852) 2710-8012
E-mail	acme@acmesanitary.com.hk
Website	www.acmesanitary.com.hk

### Illustration/ Drawing



### "Tempesta Cosmopolitan System 210" Shower system with thermostat for wall mounting

- Consisting of:
- horizontal swivable 390 mm projection shower arm
- **exposed thermostatic shower** with Aquadimmer function
- allows change between:
- head shower Tempesta 210 (26 408 000)
- spray pattern: **Rain**
- with ball joint
- rotation angle  $\pm 15^\circ$
- hand shower Tempesta Cosmopolitan 100 (27 571 001)
- 2 spray patterns: **Rain, Jet**
- adjustable height via gliding element
- Relaxflex shower hose 1500 mm (28 161)
- **GROHE TurboStat** compact cartridge with wax thermolement
- **GROHE SafeStop** safety button at  $38^\circ\text{C}$  ( **calibration required** )
- **GROHE SafeStop Plus** optional temperature limiter at  $43^\circ\text{C}$  included
- **GROHE DreamSpray** perfect spray pattern
- **GROHE StarLight** chrome finish
- **SpeedClean** anti-limescale system
- **Inner WaterGuide** for a longer life
- suitable for instantaneous heaters from 18 kW/h
- minimum flow rate 7 l/min.
- optional upgrade: **GROHE EasyReach** tray (26 362)





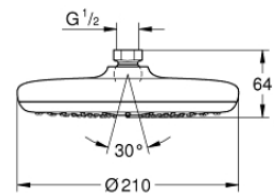
PROJECT		REF		REV	ITEM CODE	
LOCATION		DATE			PAGE	

## SANITARY WARE SPECIFICATION SHEET

26408000

### "Tempesta 210" Head shower 1 spray

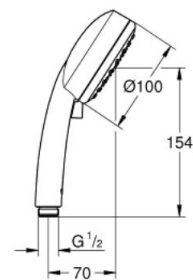
- Rain
- Ø 210 mm
- Ball joint +/- 15° rotatable
- connection thread 1/2"
- **GROHE DreamSpray** perfect spray pattern
- **GROHE StarLight** chrome finish
- **SpeedClean** anti-limescale system
- **Inner WaterGuide** for a longer life
- suitable for instantaneous heater



27571001

### "Tempesta Cosmopolitan 100" Hand shower 2 sprays

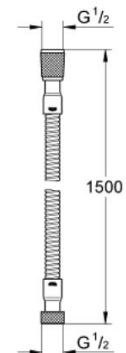
- Rain, Jet
- **GROHE DreamSpray** perfect spray pattern
- **GROHE StarLight** chrome finish
- **SpeedClean** anti-limescale system
- **Inner WaterGuide** for a longer life
- Universal Mounting System. Fits all standard shower hoses



28161000

### "Relaxflex" Shower hose

- 1500 mm
- for low pressure
- **GROHE StarLight** chrome finish





PROJECT		REF		REV	ITEM CODE	
LOCATION		DATE			PAGE	

## SANITARY WARE SPECIFICATION SHEET



### Constant water temperature thanks to reliable GROHE TurboStat technology

Our precise control technology ensures an instant water flow at the desired temperature and keeps it constant irrespective of any fluctuations in water pressure or supply.



### GROHE SafeStop (Plus) – double scalding protection at 38°C and (optional) 43°C

Great for homes with children, this safety feature is set at 38°C, preventing you from turning up the water temperature too high. If desired, higher temperatures can be selected by pushing the button. Optional for extra safety: the easy-to-fit GROHE SafeStop Plus limiter ensures that the temperature does not exceed 43°C.



### GROHE DreamSpray for luxurious showering

The GROHE DreamSpray technology turns your daily shower into a luxuriously relaxing experience. The advanced engineering of the shower head ensures a balanced flow of water from all nozzles, whatever spray pattern you choose.



### Easy to clean thanks to the GROHE StarLight chrome coating

Just wipe the tap down with a dry cloth – the ultra smooth surface finish is scratch resistant and ensures a lasting luminous sheen. You'll save plenty of time cleaning while your tap always looks shiny and new.



### SpeedClean: easy cleaning thanks to silicone nozzle

Indeed, the name says it all: with the SpeedClean technology, you'll have limescale removed from the spout in the blink of an eye thanks to a nozzle made of silicone. A quick wipe with your fingers is all it takes to remove any limescale deposits, saving you a lot of time and effort!



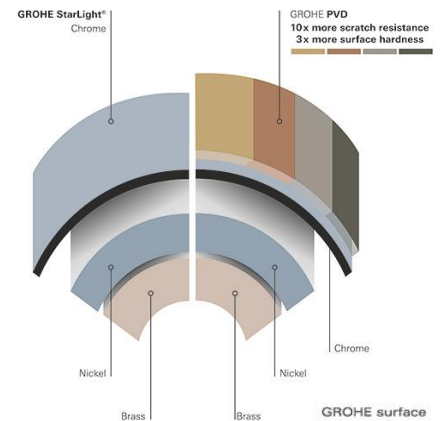
### Coating protected by Inner WaterGuide

A strong insulation of the water guide inside the shower prevents its surface from heating up, so it will never be too hot for you to touch. At the same time, this serves to protect the finish of your GROHE shower, further enhancing its great durability.



### GROHE EasyReach tray – always keep shower gel and shampoo handy

Always keep your shower gel and shampoo handy with the GROHE EasyReach tray. The flat tray surface is designed to match your tap for a great look and quick easy cleaning.



GROHE surface hardness



Chrome PVD

GROHE scratch resistance



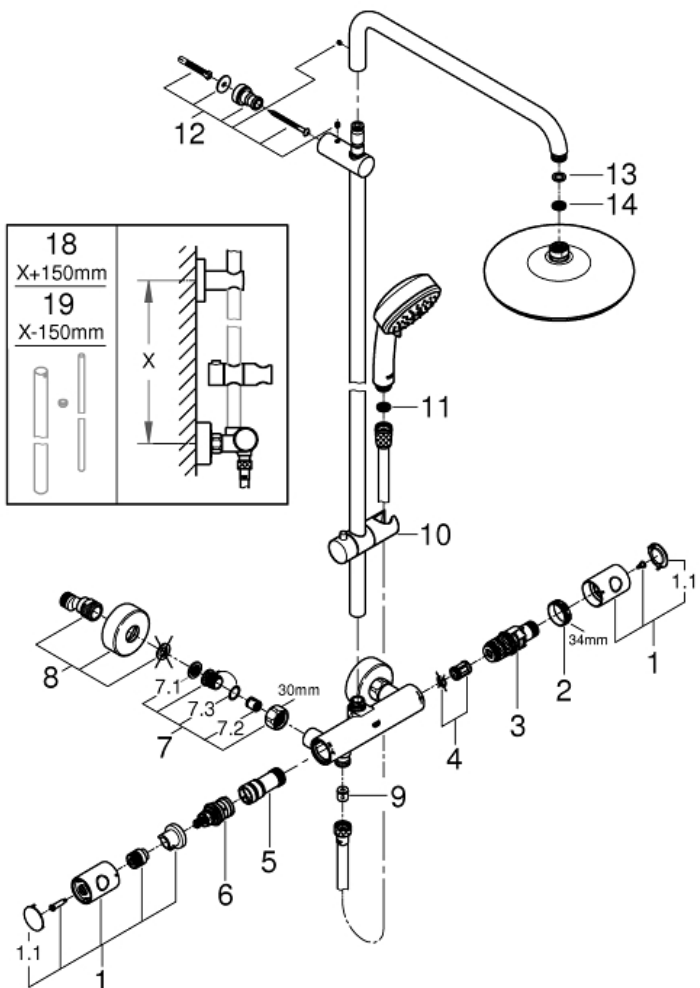
Chrome PVD

\* All information of the above is for the reference only. No prior notice is made if any changes.



PROJECT		REF		REV	ITEM CODE	
LOCATION		DATE			PAGE	

## SANITARY WARE SPECIFICATION SHEET



### SPARE PARTS

- 1: Metal handle 1/2" (Order-nr. 47984000)
- 1.1: Cover Cap (Order-nr. 6458500M)
- 2: retaining ring (Order-nr. 47743000)
- 3: Thermostatic compact cartridge 1/2" (Order-nr. 47439000)
- 4: Sound absorber (Order-nr. 47398000)
- 5: Water flow (Order-nr. 47751000)
- 6: Aquadimmer (Order-nr. 12433000)
- 7: Non-return valve (Order-nr. 47189000)
- 7.1: Filter (Order-nr. 0726400M)
- 7.2: Non-return valve (Order-nr. 08565000)
- 7.3: O-Ring Ø17 x Ø2 (Order-nr. 0305500M)
- 8: S-union (Order-nr. 12662000)
- 9: Non-return valve (Order-nr. 08565000)
- 10: Sliding piece (Order-nr. 12140000)
- 11: Strainer (Order-nr. 0700200M)
- 12: Outlet shower holder (Order-nr. 48423000)
- 13: Fibre seal dia. Ø 18,5 x Ø 12 x 2 (Order-nr. 0138900M)
- 14: Strainer (Order-nr. 48007000)
- 15: Socket Spanner (Order-nr. 19332000)\*
- 16: GROHE TurboStat cartridge 1/2" (Order-nr. 47175000)\*
- 17: Special Spanner (Order-nr. 19377000)\*
- 18: Shower system pipe for retrofitting (Order-nr. 48053000)\*
- 19: Shower system pipe for retrofitting (Order-nr. 48054000)\*

	30mm		34mm		
--	------	--	------	--	--

\* Optional accessories

\* All information of the above is for the reference only. No prior notice is made if any changes.



Supplies Department

Quarters

香港入境事務大樓七號打士街

48/F, Immigration Tower, 7 Gloucester Road, Wan Chai, Hong Kong

本署檔號 : (2) in WSD 3321/2021 T/J(1/2021)  
Our ref.  
來函檔號 :  
Your ref.

電話 :  
Tel.  
傳真 : 2824 0578  
Fax.


25 January 2021



### Approval of "GROHE" Thermostatic Mixer (General Acceptance No. C20210055)

Your letter ref. WRC/2409 dated 7 December 2020 refers.

Having considered the test report ref. J25907 issued on 27 November 2020 by Nutek Systems (HK) Ltd., this Authority accepts that the fitting described below complies with, and its use when correctly installed does not contravene, the Waterworks Ordinance and Regulations.

**Name of Manufacturer:** Grohe AG  
**Country of Origin:** Portugal  
**Brand:** Grohe  
**Details of Fitting:** 1/2" Wall mounted thermostatic shower mixer  
**Model:** 26302XX1  
(where the digits "XX" denote the code of colour)  
**Body Markings:**   
**Expiry Date:** 5 October 2025

This Authority hereby permits the use of the above fitting in fresh water plumbing systems subject to full adherence to Waterworks installation requirements. In particular, you are required to draw your customers' attention to the following requirement-

"The cold water supply to the fitting shall be drawn from the same source that supplies the hot water apparatus so as to provide a balanced pressure and to obviate the risk of scalding in the event of a restriction or failure in the water supply." AND

"The shower head or handspray should not be placed in submerged conditions and should be securely fixed to the original position after use."

A condition of this acceptance is that the fitting to be installed shall be replicas of the sample as certified by the testing agent mentioned above and without modifications. This acceptance may be withdrawn at any time if the standard of the fitting installed fails to meet that of the approved sample or if the fitting is found to be unsuitable for use in fresh water plumbing systems.

This acceptance is only applicable to the main body of the fitting, unless otherwise specified.

For the use of the fitting in any project, the General Acceptance Number of this letter must be quoted as a means of identification of acceptance of the fitting by this Authority.

Should you have any enquiries, please contact our Engineer Mr. Terry KUNG at tel. no. 3583 4086.

Yours faithfully,



(CHAN Chung-kun)

for Director of Water Supplies

Encl.

c.c. WSD 3321/1/82 ] - without catalogue  
ME/MC ] - with soft copy only